

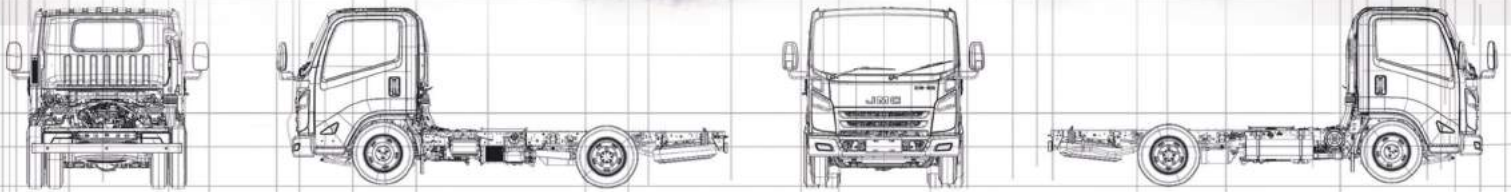


CONQUER 3360

67-110-MWB



Illustration may contain items not standard to the model



FOR THE HIGHEST EFFICIENCY

KEY FEATURES

- TOPANTHER TDCi engine
- GETRAG standard 6 speed gearbox
- ADR 80/03 Emission using Euro 5
- 3 years/160,000 km warranty

KEY SPECIFICATIONS

- GVW6700kg
- Engine.....Direct injection high pressure common rail
.....system Turbocharger and liquid intercooler
- Power110kw@2800rpm
- Torque375Nm/1600-2800 rpm
- Wheelbase3360mm
- Nominal Max Tray Length.....4760mm



CONQUER 3360



ENGINE & DRIVETRAIN SPECIFICATIONS

ENGINE

Engine ModelJX4D30A5H
 Max. Power110kw@2800rpm
 Max. Torque375Nm/1600-2800 rpm
 Type4 Cylinder 16 valve
 Displacement.....3000 cc
 Fuel Injection systemDirect injection high pressure common rail system
 Air intake systemTurbocharger and liquid intercooler
 Air cleanerPaper element

WHEELS & TYPES

Wheels type6 Stud wheel
 Front7.50R16 14 PR
 Rear7.50R16 14 PR Dual
 Number of tyres.....7 Including spare

CLUTCH

TypeM300-diaphragm spring
 Size..... Φ 300X Φ 190
 Controlhydraulic control

TRANSMISSION

TypeGETRAG
 Model6MT1420
 Gear ratio

| | |
|------------|------------|
| 1st: 5.979 | 2nd: 3.434 |
| 3rd: 1.862 | 4th: 1.297 |
| 5th:1.000 | 6th: 0.759 |
| Rev: 5.701 | |

PTO.....provision LHS transmission case

AXLE LOAD & TYRE ROAD LIMITS

Front axleIntegral
 Front axle tyre rating kg....3100
 Rear axleFull floating
 Rear axle tyre rating kg....5500

BRAKES

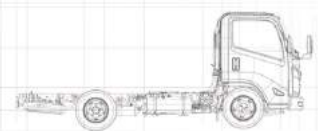
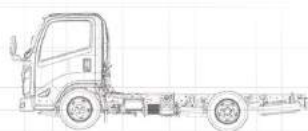
TypeDouble circuit pneumatic braking, vacuum assist
 ABSYes
 Front drum size320
 Rear drum size320
 Parking drum sizedrum braking
 Exhaust braking.....vacuum controlled

SUSPENSION

FrontLeaf Spring
 Leaf spring No.....8
 RearLeaf Spring
 Leaf spring No.....7+7

Electrical System

Type12 Volt system
 Batteries.....12V-80AH





CONQUER 3360

CAB EQUIPMENT & INSTRUMENTATION



VEHICLE WEIGHTS

| | |
|--------------------------------|------|
| GVW kg..... | 6700 |
| Front axle weight kg..... | 1675 |
| Rear axle weight kg..... | 1085 |
| Total vehicle tare weight..... | 2693 |
| Rated load capacity kg..... | 4007 |

STEERING

TypeRecirculating ball-type

CHASSIS FRAME

| | |
|-------------------------------|---------------------------|
| Type..... | Cold riveted ladder frame |
| Chassis width at rear..... | 750mm |
| Side rail dimensions..... | 195x64x6 |
| Maximum tensile strength..... | 630Mpa |
| Towing hooks..... | Fitted front and rear |

FUEL

| | |
|--------------------|-------|
| Volume..... | 100L |
| Tank Material..... | Metal |

VEHICLE PERFORMANCE

| | |
|-------------------------|-------|
| Top speed km/h..... | 110 |
| Gradeability %@GW..... | ≥30 |
| Final driver ratio..... | 4.875 |

INSTRUMENTS

1. Meters and gauges

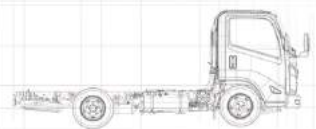
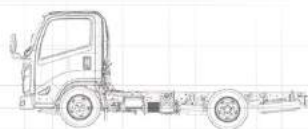
Electronically driven speedometer and tachometer Digital odometer with integrated Coolant temperature.

2. Warning, pilot lamps and sensor

Turn signal and hazard
Exhaust braking
Engine oil pressure
Alternator
High beam
Fog lamp front
Park brake
Engine failure
Fuel level warning
Brake fluid low level
ABS system failure

CABIN EXTERIOR

| | |
|-----------------------------------|---------------------------------------|
| Type..... | Forward control Heavy duty nonslip |
| Entry step..... | Yes |
| Roof mounted clearance lamps..... | No |
| Front mud flap..... | Yes |





CONQUER 3360

67-110-MWB DIMENSIONS

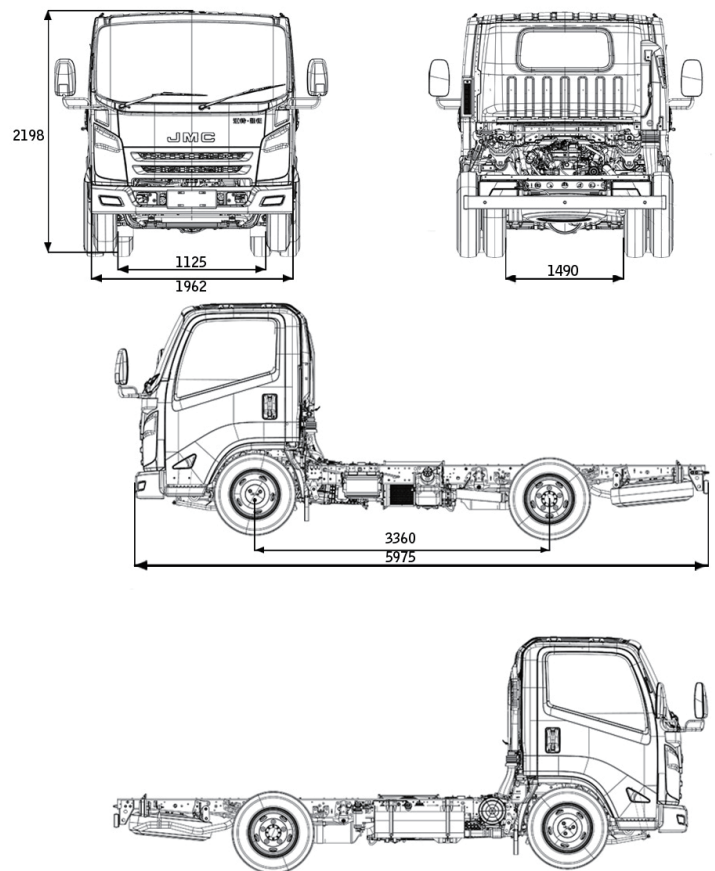


CABIN INTERIOR

| | |
|--|----------------------|
| Window screen glass | Laminated glass |
| Driver seat | 2-way adjustable |
| Passengers seat | Fixed seat |
| Seat cover | Fabric |
| Driver seat belt | Three point type |
| Passengers seat belt | Three point type |
| Centre passenger seat belt | 2 point type |
| Sunvisor | Driver and passenger |
| Ventilator | No |
| Inside rear mirror | Flat type |
| Audio | AM/FM+AUX+CD |
| Reversing sensors | No |
| Air conditioning | Yes |
| Remote central locking | Yes |
| Power windows | Yes |
| Cruise control | No |
| Windscreen wipers 2 speed with intermittent function | Yes |
| Halogen multi-reflector headlamp | Yes |
| Fog lamp | Yes |
| Centre seat back console and 2 cup holder | Yes |
| Door pockets | Yes |
| Entry assist handles | Yes |

VEHICLE DIMENSIONS

| | |
|---|----------------|
| Wheel base (mm) | 3360 |
| Cab chassis dimension (L/W/H)(mm) | 5975/1962/2198 |
| Wheel track (front/rear)(mm) | 1125/1490 |
| Minimum ground clearance (mm) | 182 |



WARRANTY NEW VEHICLE WARRANTY PERIOD

| Light Duty Model | Axle Configuration | Standard Warranty | Cab Corrosion Perforation |
|-------------------|--------------------|----------------------|---------------------------|
| 67-110-MWB | 4x2 | 3 Years or 160,000km | 3 Years or Unlimited km |

JMIE Australia Pty Ltd ("JMC") reserves the right to change the specifications, features, colour, designs, materials and features of the products at any time without notice. You should therefore check with your nearest authorised JMC truck dealer at the time of ordering your vehicle to ensure that colour, specifications, equipment, design features are available for the vehicle you are ordering. The information was correct at the time of printing or uploading, August 2016.
 Copyright © JMIE Australia Pty Ltd ABN:52 161 086 266