

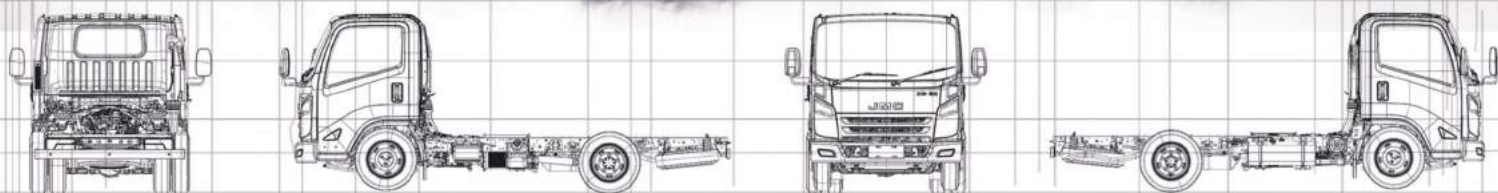


CONQUER 2750

55-90-SWB



Illustration may contain items not standard to the model



FOR THE HIGHEST EFFICIENCY

KEY FEATURES

- TOPANTHER TDCi engine
- GETRAG standard 6 speed gearbox
- ADR 80/03 Emission using Euro 5
- 3 years/160,000 km warranty

KEY SPECIFICATIONS

- GVW5500kg
- Engine.....Direct injection high pressure common rail
.....system Turbocharger and liquid intercooler
- Power90kw@3200rpm
- Torque315Nm/1600-2200 rpm
- Wheelbase2750mm
- Nominal Max Tray Length.....3771mm



CONQUER 2750



ENGINE & DRIVETRAIN SPECIFICATIONS

ENGINE

Engine ModelJX4D24A5H
 Max. Power90kw@3200rpm
 Max. Torque315Nm/1600-2200 rpm
 Type4 Cylinder 16 valve
 Displacment.2400 cc
 Fuel Injection systemDirect injection high pressure
common rail system
 Air intake systemTurbocharger and liquid
intercooler
 Air cleanerPaper element

WHEELS & TYPES

Wheels type6 Stud wheel
 Front7.00R16 10 PR
 Rear7.00R16 10 PR Dual
 Number of tyres.7 Including spare

CLUTCH

TypeM278-diaphragm spring
 Size.Ø278XØ180
 Controlhydraulic control

TRANSMISSION

TypeGETRAG
 Model6MTI420
 Gear ratio

1st: 5.979	2nd: 3.434
3rd: 1.862	4th: 1.297
5th:1.000	6th: 0.759
Rev: 5.701	

PTO.provision LHS transmission case

AXLE LOAD & TYRE ROAD LIMITS

Front axleIntegral
 Front axle tyre rating kg.2600
 Rear axleFull floating
 Rear axle tyre rating kg.4000

BRAKES

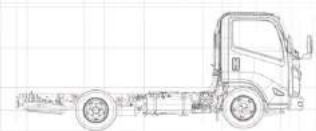
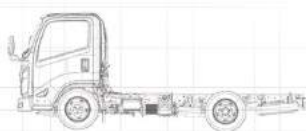
TypeDouble circuit hydraulic
braking, vacuum assist
 ABSYes
 Front drum size320
 Rear drum size320
 Parking drum sizedrum braking
 Exhaust braking.vacuum controlled

SUSPENSION

FrontLeaf Spring
 Leaf spring No.7
 RearLeaf Spring
 Leaf spring No.5+6

Electrical System

Type12 Volt system
 Batteries.12V-80AH





CONQUER 2750

CAB EQUIPMENT & INSTRUMENTATION



VEHICLE WEIGHTS

GVW kg.....	5500
Front axle weight kg.....	1440
Rear axle weight kg.....	735
Total vehicle tare weight.....	2123
Rated load capacity kg.....	3377

STEERING

TypeRecirculating ball-type

CHASSIS FRAME

Type.....	Cold riveted ladder frame
Chassis width at rear.....	750mm
Side rail dimensions.....	180x64x4.5
Maximum tensile strength.....	630Mpa
Towing hooks.....	Fitted front and rear

FUEL

Volume.....	80L
Tank Material.....	Metal

VEHICLE PERFORMANCE

Top speed km/h.....	115
Gradeability %@GW.....	≥30
Final driver ratio.....	4.875

INSTRUMENTS

1. Meters and gauges

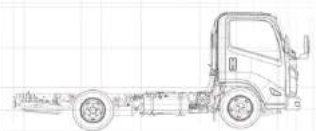
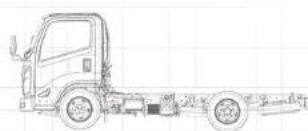
Electronically driven speedometer and tachometer Digital odometer with integrated Coolant temperature.

2. Warning, pilot lamps and sensor

Turn signal and hazard
Exhaust braking
Engine oil pressure
Alternator
High beam
Fog lamp front
Park brake
Engine failure
Fuel level warning
Brake fluid low level
ABS system failure

CABIN EXTERIOR

Type.....	Forward control Heavy duty nonslip
Entry step.....	Yes
Roof mounted clearance lamps.....	No
Front mud flap.....	Yes





CONQUER 2750

55-90-SWB DIMENSIONS

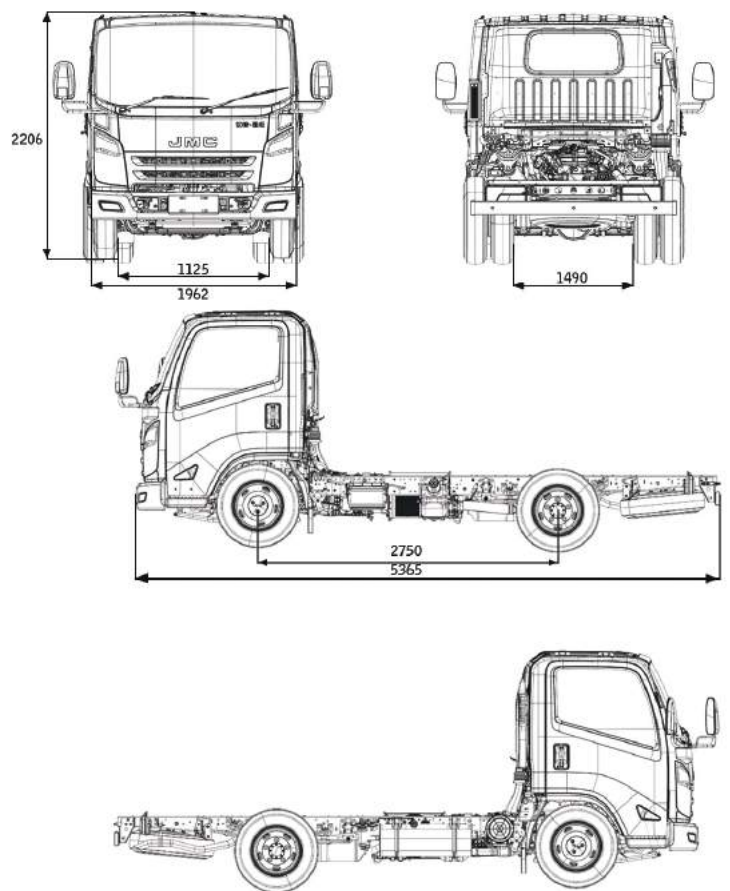


CABIN INTERIOR

Window screen glass	Laminated glass
Driver seat	2-way adjustable
Passengers seat	Fixed seat
Seat cover	Fabric
Driver seat belt	Three point type
Passengers seat belt	Three point type
Centre passenger seat belt	2 point type
Sunvisor	Driver and passenger
Ventilator	No
Inside rear mirror	Flat type
Audio	AM/FM+AUX+CD
Reversing sensors	No
Air conditioning	Yes
Remote central locking	Yes
Power windows	Yes
Cruise control	No
Windscreen wipers 2 speed with intermittent function	Yes
Halogen multi-reflector headlamp	Yes
Fog lamp	Yes
Centre seat back console and 2 cup holder	Yes
Door pockets	Yes
Entry assist handles	Yes

VEHICLE DIMENSIONS

Wheel base (mm)	2750
Cab chassis dimension (L/W/H)(mm)	5365/1962/2206
Wheel track (front/rear)(mm)	1125/1490
Minimum ground clearance (mm)	183



WARRANTY NEW VEHICLE WARRANTY PERIOD

Light Duty Model	Axle Configuration	Standard Warranty	Cab Corrosion Perforation
55-90-SWB	4x2	3 Years or 160,000km	3 Years or Unlimited km

JMIE Australia Pty Ltd ("JMC") reserves the right to change the specifications, features, colour, designs, materials and features of the products at any time without notice. You should therefore check with your nearest authorised JMC truck dealer at the time of ordering your vehicle to ensure that colour, specifications, equipment, design features are available for the vehicle you are ordering. The information was correct at the time of printing or uploading, August 2016.

Copyright © JMIE Australia Pty Ltd ABN:52 161 086 266